



UV-C



STERYLIS LIGHT AIR 120 NT is a device for air disinfection in rooms where people live. The disinfection process uses UV-C technology. The device is designed for surface mounting.

Maximum recommended volume /
surface area of disinfected room for
LIGHT AIR 120 NT models

120 m³
40 m²



OPERATION:



UV-C disinfection

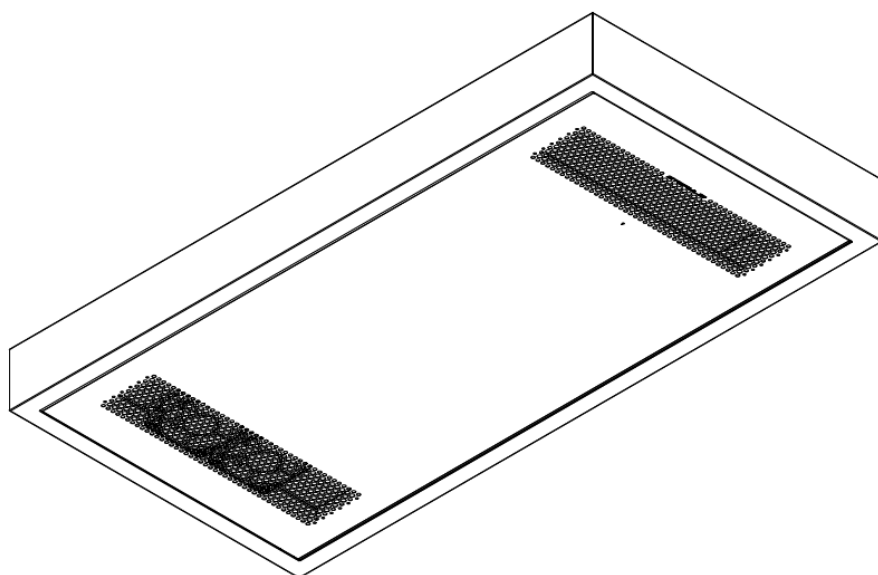
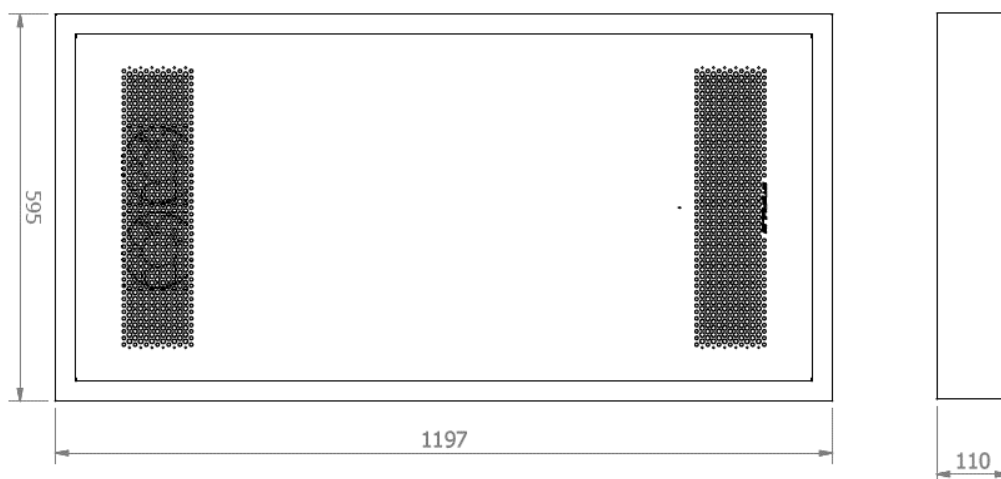
SPECIFICATION:

	LIGHT AIR 120 NT
Maximum recommended volume / surface area of room to be disinfected	120 m ³ 40 m ²
Average UV-C dose	59 J/m ²
Fan capacity- UV-C disinfection mode	120 m ³ /h
Noise level - UV-C disinfection mode	37 dB
Number of UV-C sources	4
Type of UV-C sources	25W T8 G13 254nm
Durability of UV-C sources	10800 h
Total electrical power of UV-C sources	100 W
Total radiant power of UV-C sources	32,8 W
Power supply	230 VAC / 50 Hz
Rated current	0,48 A
Rated electrical power	108 W
Fan type	axial
Quantity / Electric power of all fans	2 / 4 W
Dimensions (L x W x D)	1197x595x110 mm
Net weight	12,6 kg

Power cord	1,0 m
Housing type	metal, powder-coated
Additional functions	fault detection and signalling (fan, UV-C lamp) counting and indication of operating time of UV-C lamps
Certificates / approvals	CE, ISO

DIMENSIONS:

MODEL	DIMENSION			WEIGHT
	L [mm]	W [mm]	H [mm]	[kg]
LIGHT AIR 120 NT	1197	595	110	12,6



Due to continuous product development, we reserve the right to make design changes to the devices and update parameters
Revision date : 13.05.2021