



STERYLIS BASIC is a line of devices without an ozone generator, using the UV-C technology in the disinfection process and two-stage air filtration.

Maximum recommended cubic capacity
rooms for UV-C disinfection

100 m³

WORK MODES:



Filtration



Disinfection UV-C



UV-C disinfection -
silent mode



TECHNICAL SPECIFICATIONS:

STANDARD MODE – UV-C DISINFECTION

| | |
|---|-----------------------|
| Recommended cubic capacity of the disinfected room (assuming 24 h/day operation) | 100 m ³ |
| The maximum dose of UV-C radiation | 93 J/m ² |
| Fan performance UV-C disinfection mode | 260 m ³ /h |
| Noise level – disinfection mode UV-C | 50 dB(A) |

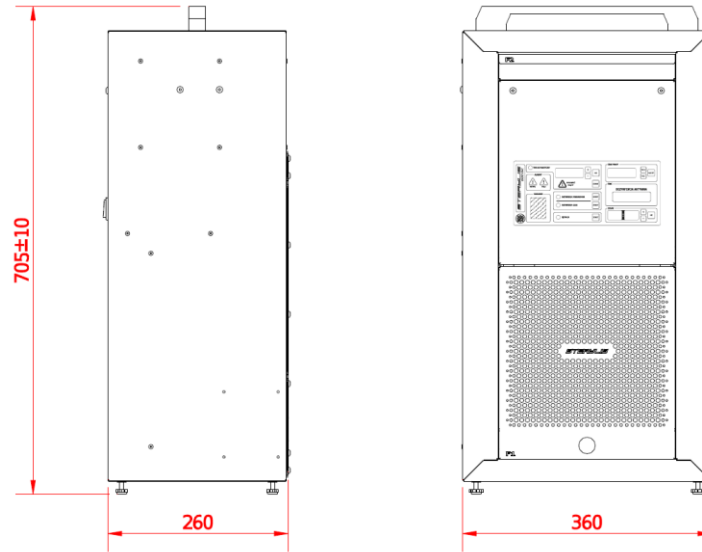
SILENT MODE – UV-C DISINFECTION

| | |
|---|----------------------|
| The maximum dose of UV-C radiation | 127 J/m ² |
| Noise level – disinfection mode UV-C (silent) | 43 dB(A) |

FILTRATION MODE

| | |
|--------------------------------|-----------------------|
| Fan capacity in filtering mode | 260 m ³ /h |
| Noise level – filtering mode | 50 dB(A) |

| | |
|--|---|
| UV lamp | YES |
| Type lamps UV | UV-C sterilization $\lambda = 253,7 \text{ nm}$ |
| Total electrical power of UV-C sources | 72 W |
| Durability of UV lamps | 9000 h |
| Total radiant power of UV-C sources | 19 W |



| | |
|--------------------------|--------------------------|
| Air filtering | 2-stage |
| Fan type | Radial |
| Fan engine | enclosed |
| Type | flowtype |
| Power supply | 230 V (AC), 50 Hz |
| Rated current | 0,6 A |
| Rated power | 140 W |
| Power cable length | 3 m / different length* |
| Dimensions (H x W x D) | 705 x 360 x 260 |
| Net weight | 16 kg |
| Type of housing | metal, powder-coated |
| Transport wheels/handles | handle/transport wheels* |
| Additional functions | detachable power cord |

* - option available after consultation with the sales department

Due to the continuous development of our products, we reserve the right to make changes to the design of the devices and to update their parameters..

Revision Date: 12.04.2021